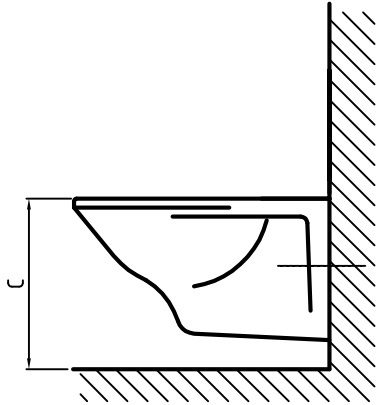


# DIMENSION SHEET

Please provide the following Informationen:  
Type toilets, wall or standing toilet, and the masses below.

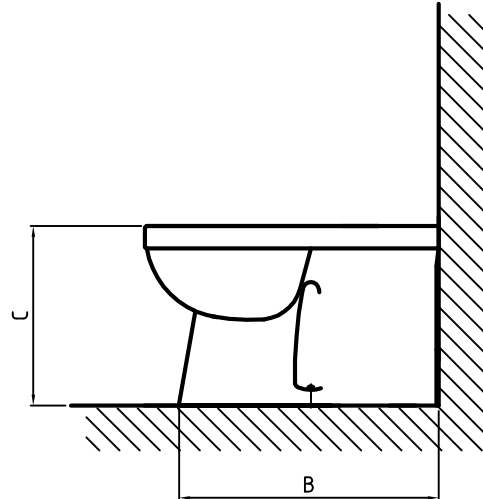
## Wand Toilette

hanging toilet

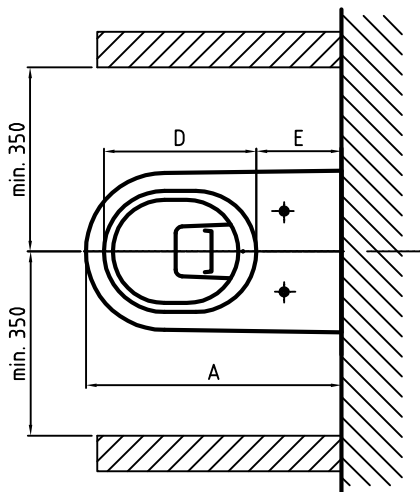


## Stehende Toilette

standing toilet



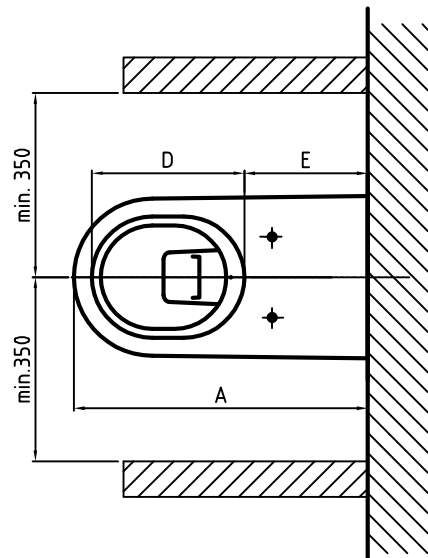
According to the drawings below, it should be ensured that from the toilet bowl center axle left and right at least 350 mm free space available, to be able to use the stand support.



Maße/mm

A  C

D  E



Maße/mm

A  B

C  D

E