

Dimension Sheet



Lift-basin wall-mounting

Electrically adjustable in height and mechanically inclinable lift basin, wall-mounting

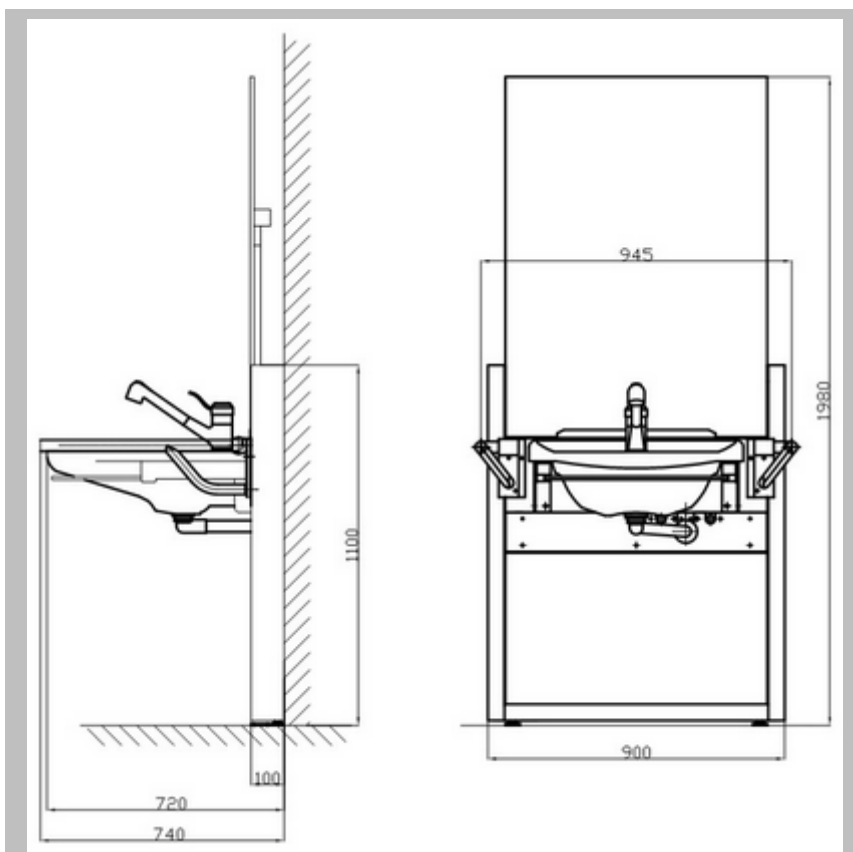
**Adjustment in height:
from 500 to 850 mm**

Inclination: 10° to the front

Electrically adjustable in height and mechanically inclinable lift basin with multifunctional, spring-loaded folding handles and integrated controls (with protective foil). The lift basin can be comfortably adjusted in height by keypress.



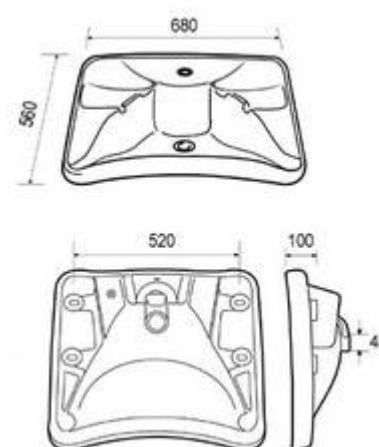
Installation sheet lift basin



Technical data:

Dimensions: 1100x900 mm
Height adjustment: 500-850 mm
Inclination: 10°
Connection (drain): DN32
Power supply: 230V50Hz 16A
Connection (water): G1/2"
Angle Valve: 10/G3/8"

Porcelain basin:



Framework made of:

- Ground, lift and inclination frame made of galvanized steel
- Side plate in RAL colors, wheelchair-accessible basin
- Multifunctional, folding, spring-loades handles
- Integrated drain set, integrated electro-unit
- Mirror, mirror-light, mounting element for wall and ground