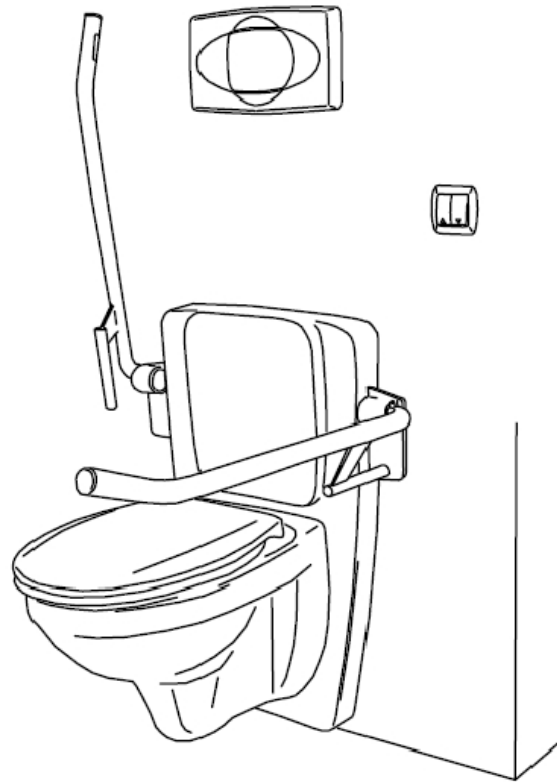


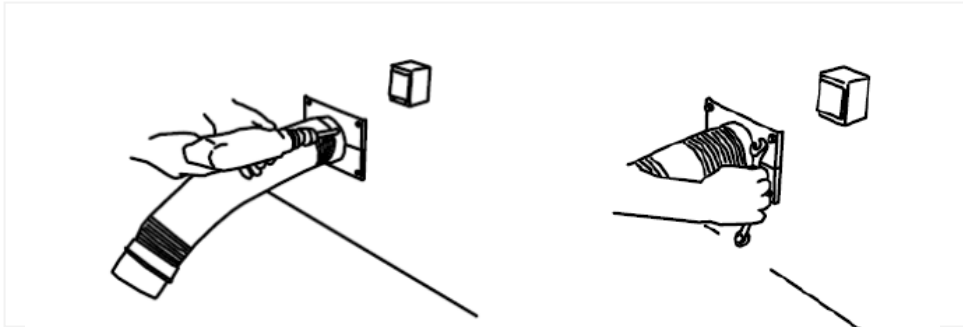
LIFT-WC SANTIS FORALL und SANTIS CARE



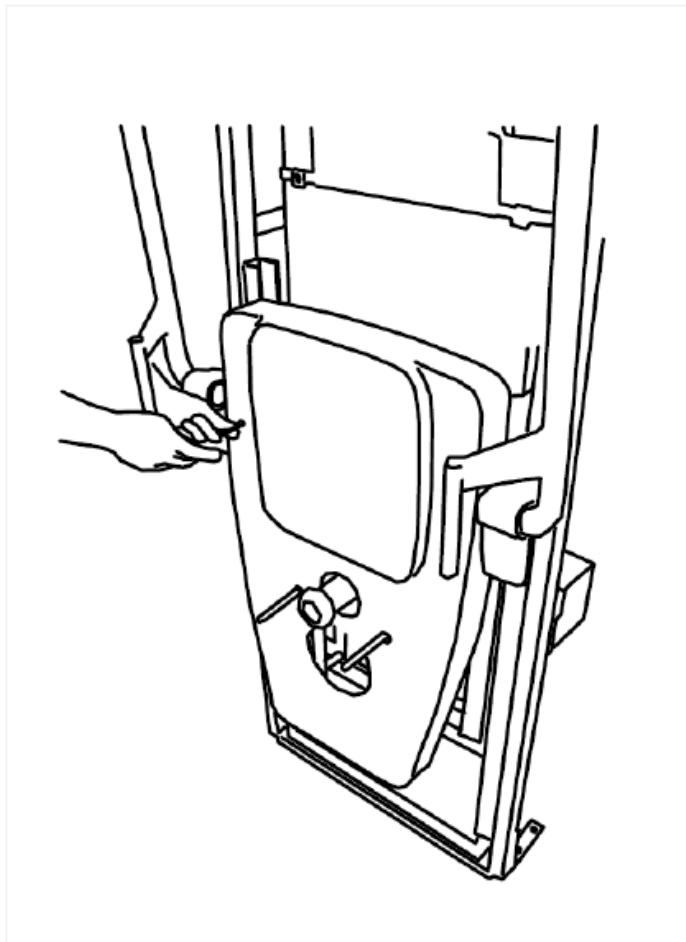
Assembly instruction

1. Preparation of the wall according to the instruction on the “preparation of the wall LWC”

2. Attachment of the drain hose by means of the provided wall plugs and screws

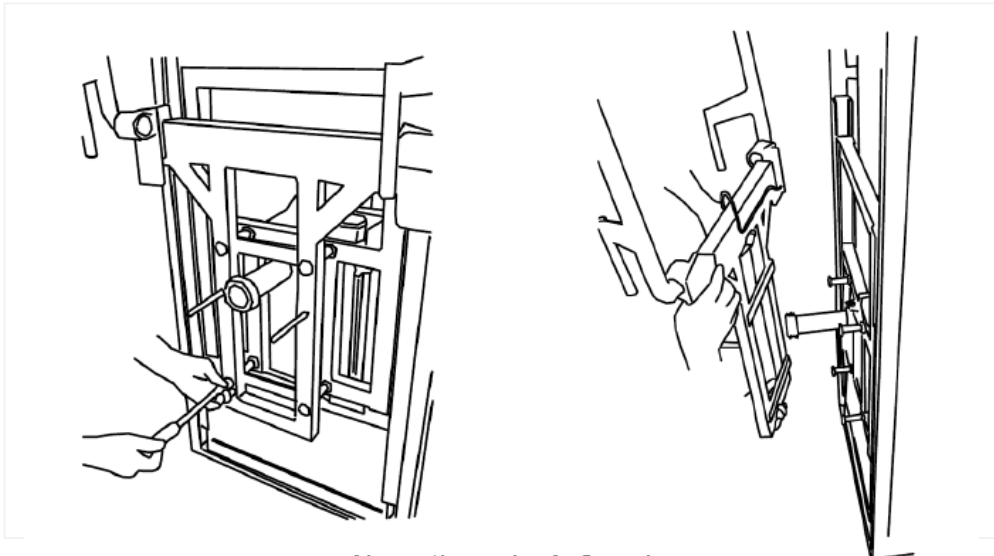


3. Dismount the cover by unscrewing the 2 M2 screws with the aid of a suitable screwdriver.

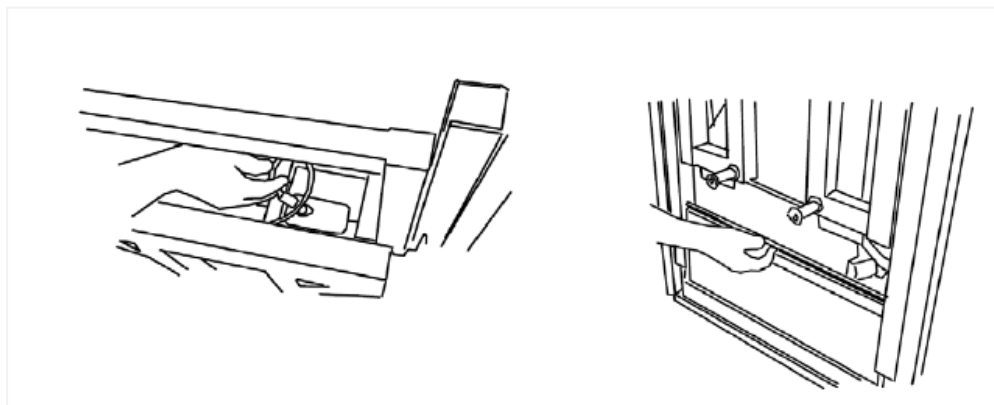


4. Discharge the ground frame

- Dismount the outer frames by unscrewing the 4 M10 screws with the aid of a suitable screwdriver
- Pull out the cable of the rotary swivel trigger from the box behind the ground frame
- Unhinge and cover the lower blind in order to prevent dirt during the assembly



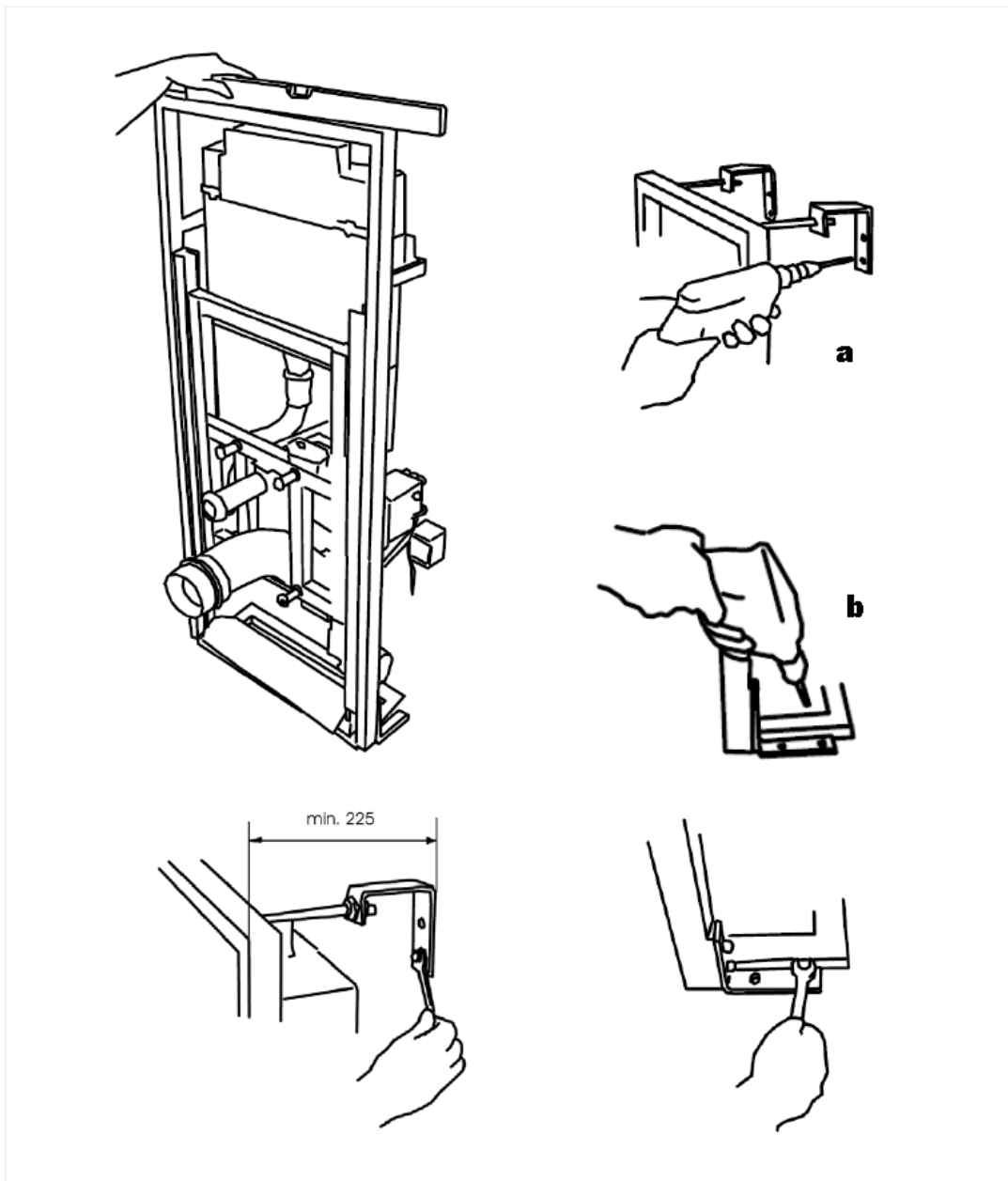
Dismount the outer frames



Unhinge the blind

5. Insertion of the assembly frames. Horizontal and vertical installation

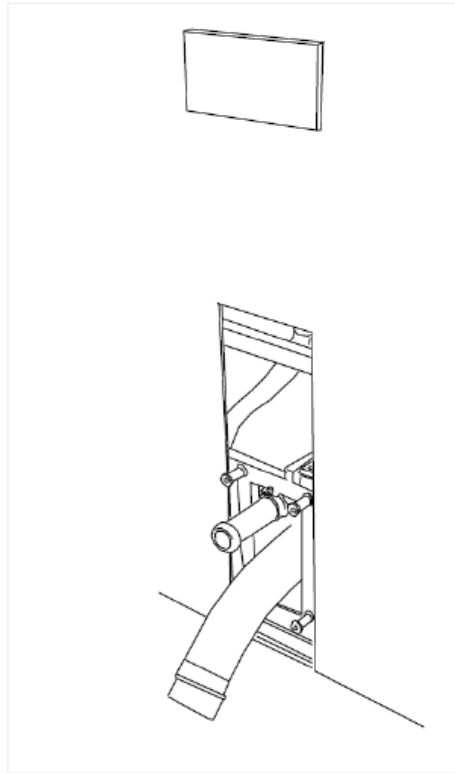
- The distance to the wall should be at least 225 mm (tolerance max. +10mm)
- The distance to the wall (horizontal installation) can be adapted by means of 2 wall mounting plates (a)
- The vertical installation can be adapted by means of 2 support plates (b)
- After the horizontal and vertical installation tighten the ground frames on the wall or the floor
- Afterwards the earthing will be attached/connected



6. Attachment of the flushing tank to the water access according to the assembly constructions provided with the product

7. Preparation of the gypsum cardboard

On the gypsum cardboard there are openings formed for the lower part and the rotary swivel trigger according to the included drawings

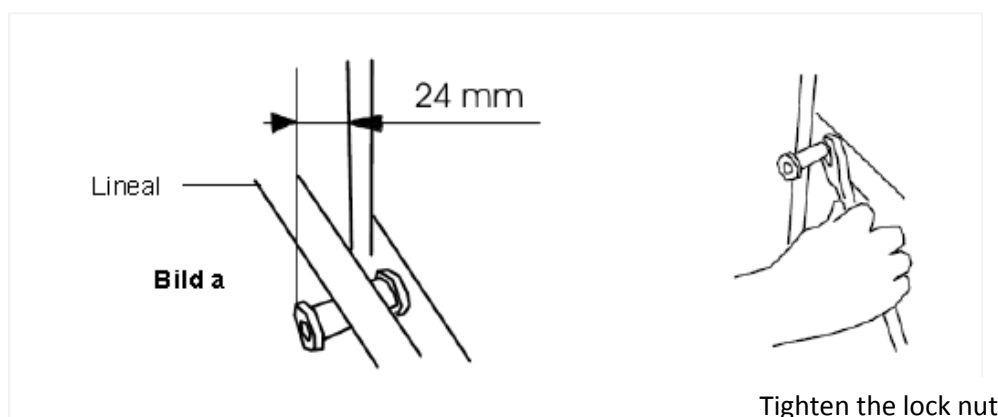


8. After the insertion of the gypsum of the cardboard the lay the flagging

The edges of the cut-out has to be finished accordingly

9. Preparation of the assembly of the outer elements

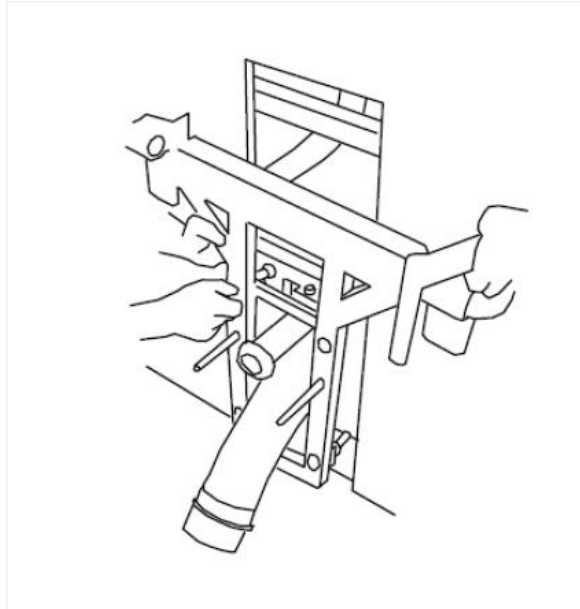
- Connect the facility to the power supply system by means of plugging the power pack into a socket
- Mount the screw for the assembly of the outer frames equally in a distance of 24mm to the flagged wall. (In order to facilitate the installation in case of wall unevenness put 2 screws on the same level with the aid of a ruler (picture a))
- After the installation tighten the lock nut



Tighten the lock nut

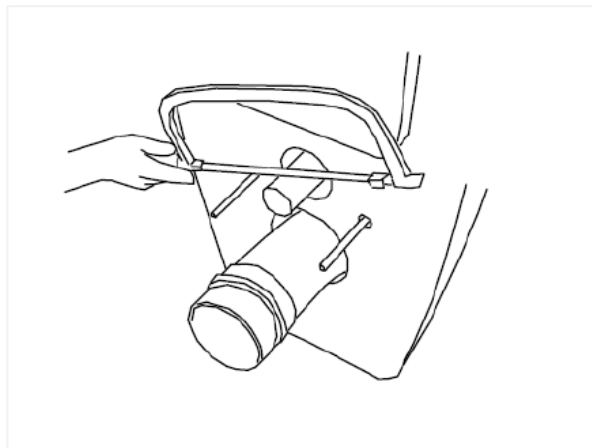
10. Put the outer elements back onto the ground frame

- Mount the outer frame with the handholds (4 M10 screws)
- Plug in the cable of the rotary swivel trigger in the box behind the ground frame
- Put the blind back



11. Reset the cover by means of 2 M5 screws

12. Cut the pipe for the water access according to the measures needed and put the rubber seal onto it.



13. Put the flexible drainage tube ceramic toilet and tighten it with the aid of the provided fixing sleeves



14. Assembly of the ceramic toilet bowl

15. Assembly of the cistern trigger according to the instructions provided